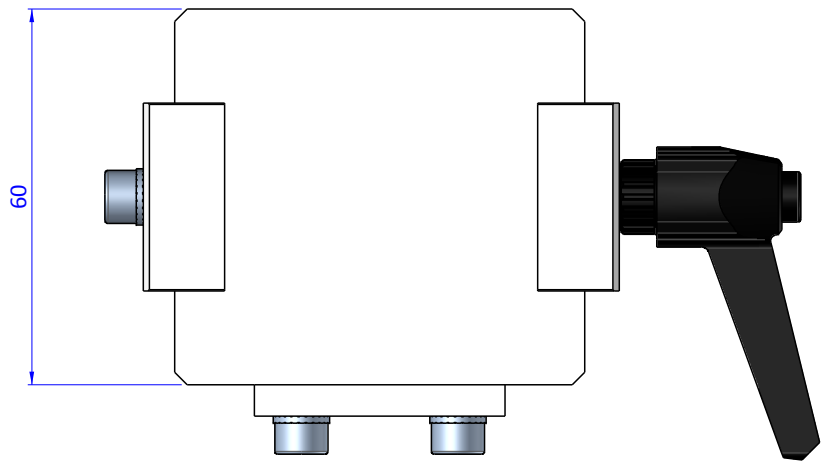
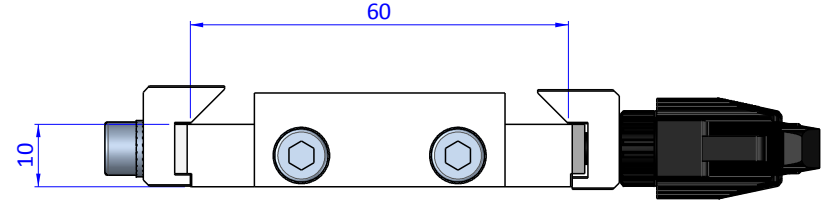
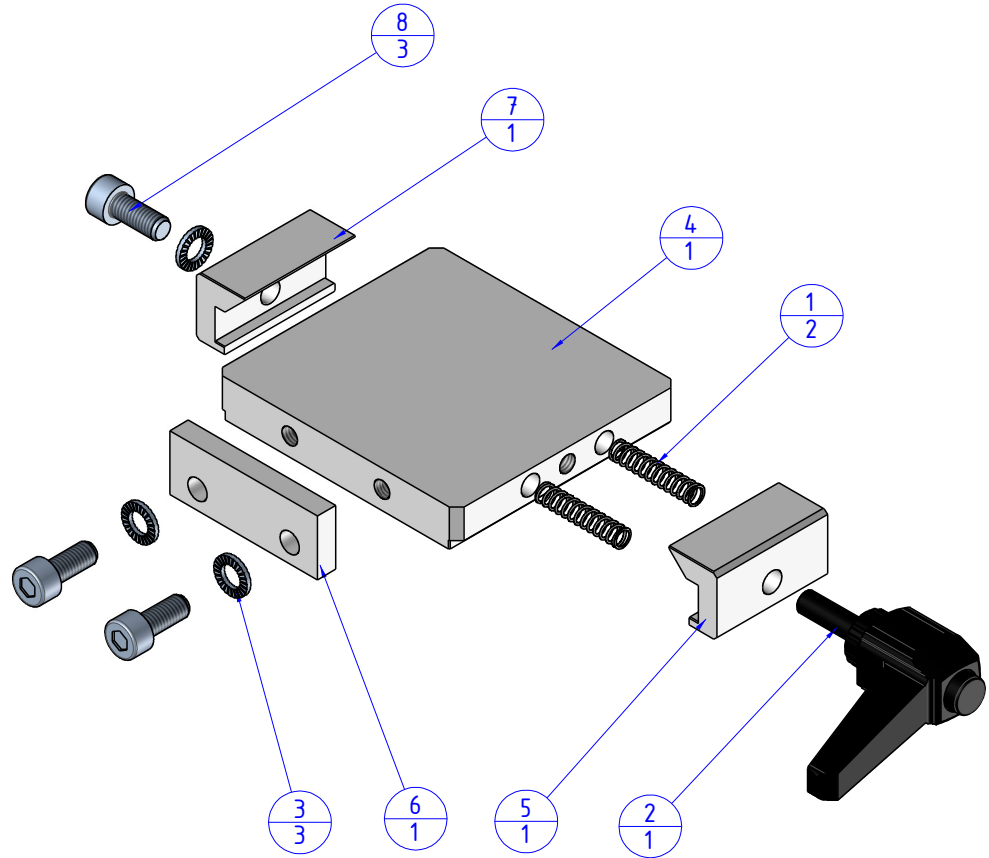



THE PROPERTY OF THE DRAWING IS ESTABLISHED BY LAW. IT IS FORBIDDEN TO PRODUCE OR SHOW IT TO THIRD PARTY, WITHOUT A WRITTEN AGREEMENT.

Item	Name	Qty.
1	M.DIM.11230	2
2	MAN.M5x16	1
3	R.5.SCH	3
4	SWM0.1	1
5	SWM0.2	1
6	SWM0.3	1
7	SWM0.4	1
8	V.TCE5x12	3



Format A3
UNI 936-76

 FPS FPSERVICES AUTOMATION		DESIGNED FROM		REVIEW
		FPS Automation		A
GENERAL TOLERANCE		DATE	WEIGHT	
UNI - ISO 2768		25/07/2019	0,140kg	
CLASSE f		CODE		
		CA.SWM0		CA.SWM0